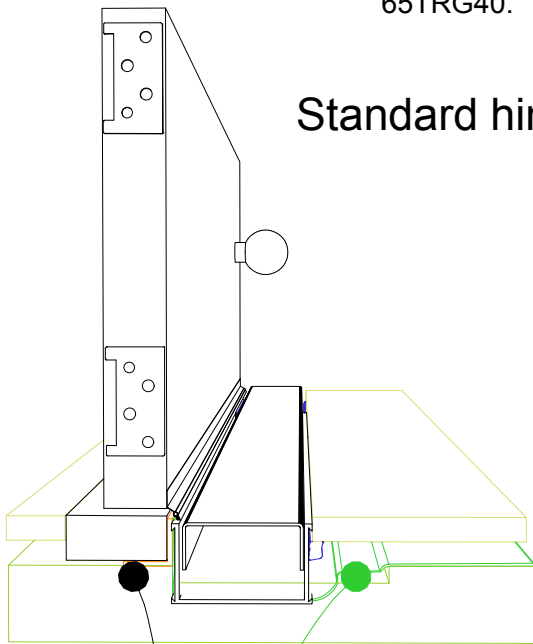


# 65G40 Threshold installation suggestion

For 65ARG40, 65PHG40, 65PSG40,  
65TRG40.

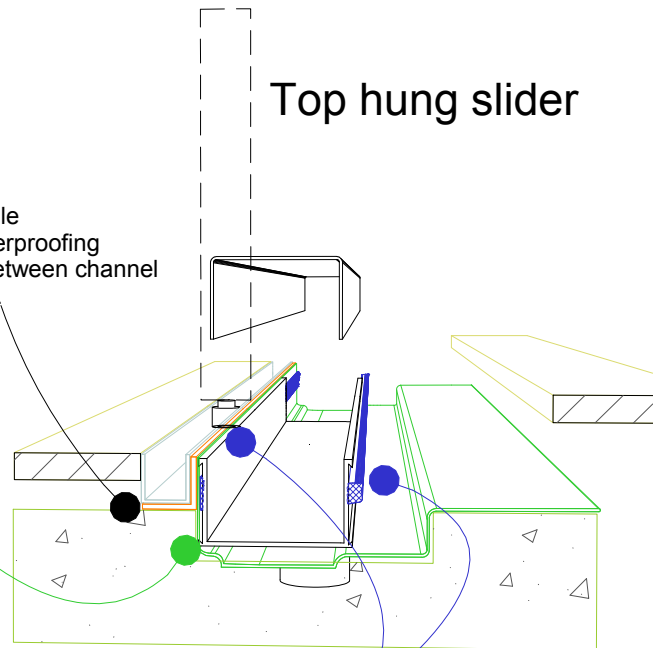


## Standard hinged door



Aluminium angle  
to support waterproofing  
and junction between channel  
and door sil.

## Top hung slider

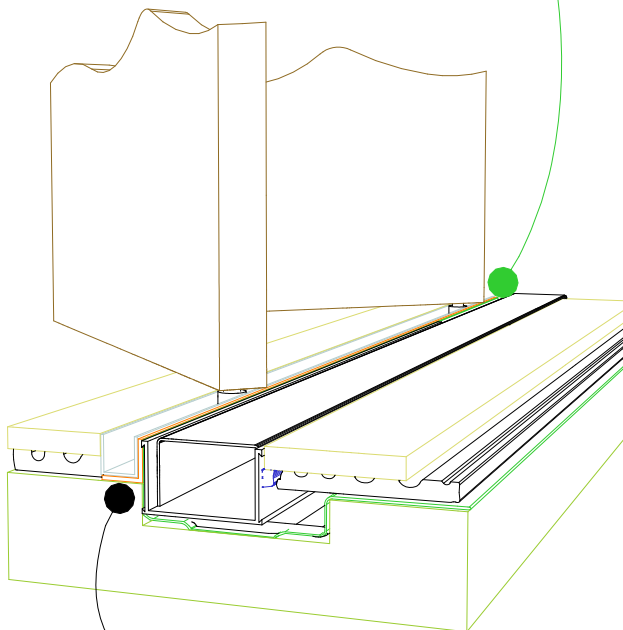


Aluminium angle  
to support waterproofing  
and junction between channel  
and door track.

**Waterproofing**

For all types of threshold  
installation ensure both sides  
of the channel are sealed  
before laying tile.

## Bi-fold door



Aluminium angle  
to support waterproofing  
and junction between channel  
and door track.

**NOTE, ALWAYS ensure the  
waterproofing is completed  
before laying the Stormtech.**

NOTE, ensure weather strip  
is used on the appropriate  
side of the door to ensure  
drafts and moisture are  
minimised.

