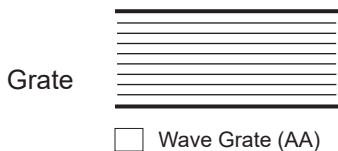


100AATDi Threshold drain - Premium for Sub Sil and Sil Order Form

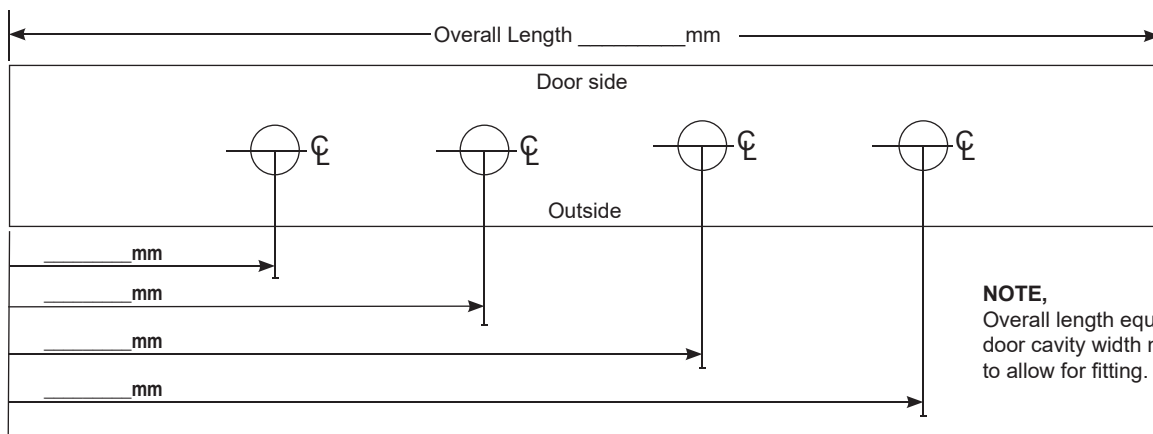
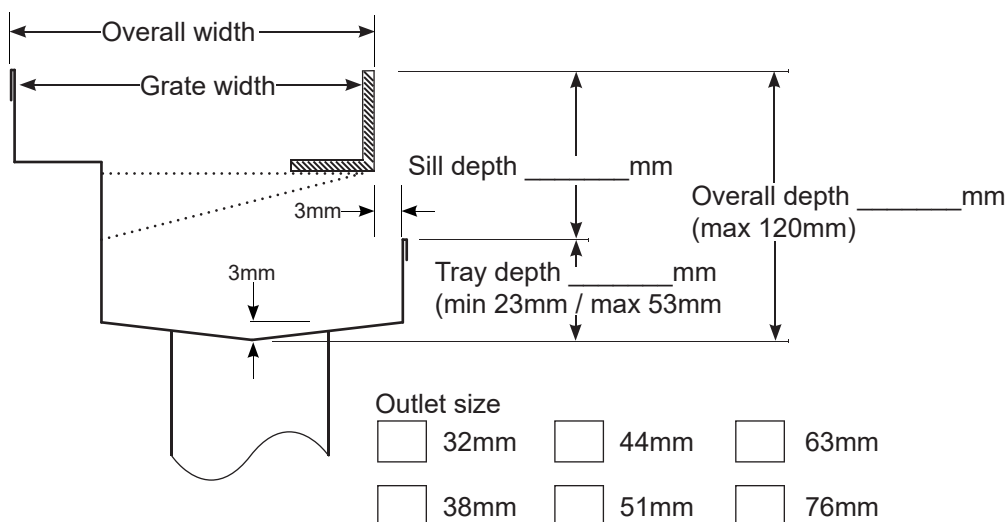


- Aluminium Finish
- Standard Aluminium
 - Matte Black
 - Brass Gold

Please note:

Only Aluminium grate is finished, threshold channel is stainless steel

100mm Grate Overall width = 109mm



Name

Customer name/job

Order number

Email

Branch S/tech quote #

Signature & date

Fax to 02 44235552 or email to info@stormtech.com.au

