

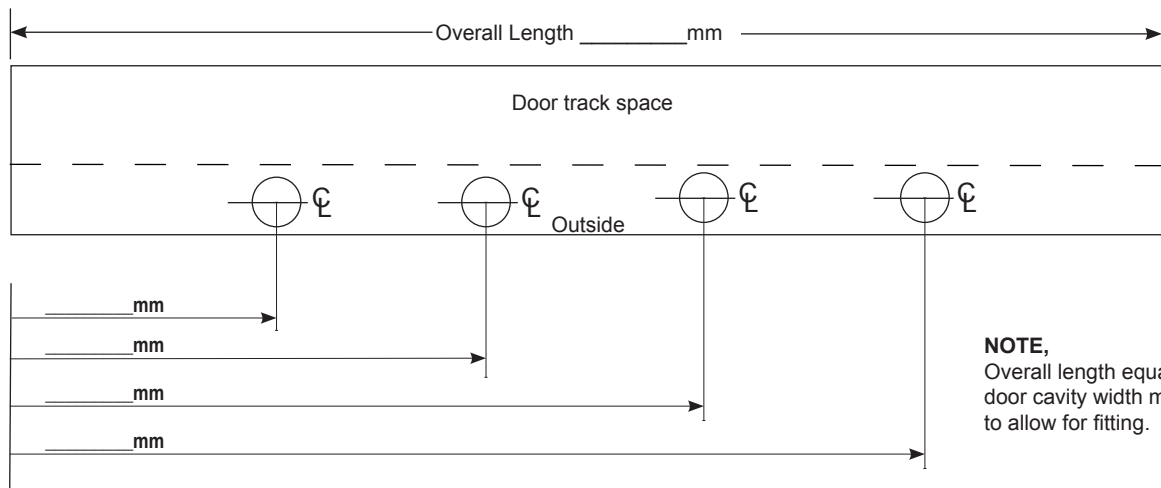
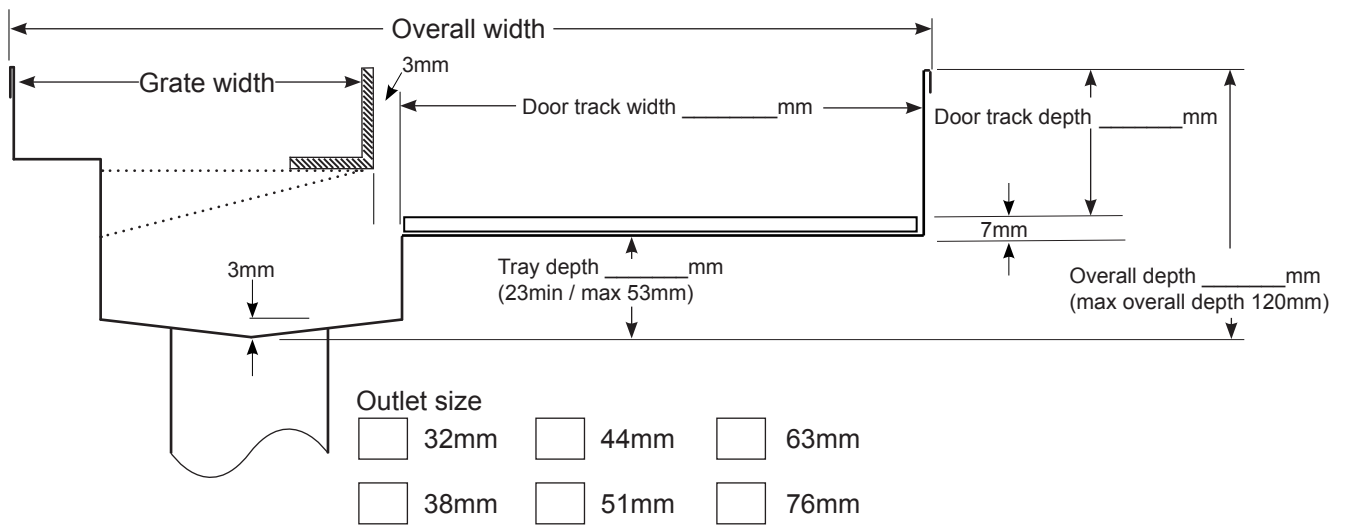


Threshold drain - Premium with Sill only

Order Form

 <input type="checkbox"/> Architectural (AR)	 <input type="checkbox"/> Punched Slot (PS)	 <input type="checkbox"/> Marc Newson (MND)	 <input type="checkbox"/> Ti
-------------------------------------------------	------------------------------------------------	------------------------------------------------	---------------------------------

<input type="checkbox"/> 65mm Tile Insert	<input type="checkbox"/> 65mm Grate	Overall width = 80mm + track width.
<input type="checkbox"/> 100mm Tile Insert	<input type="checkbox"/> 100mm Grate	Overall width = 115mm + track width.



NOTE,
Overall length equals door cavity width minus 4mm to allow for fitting.

Name	Email	
<input type="text"/>	<input type="text"/>	
Customer name/job	Branch	S/tech quote #
<input type="text"/>	<input type="text"/>	<input type="text"/>
Order number	Signature & date	
<input type="text"/>	<input type="text"/>	

Fax to 02 44235552 or email to info@stormtech.com.au

