



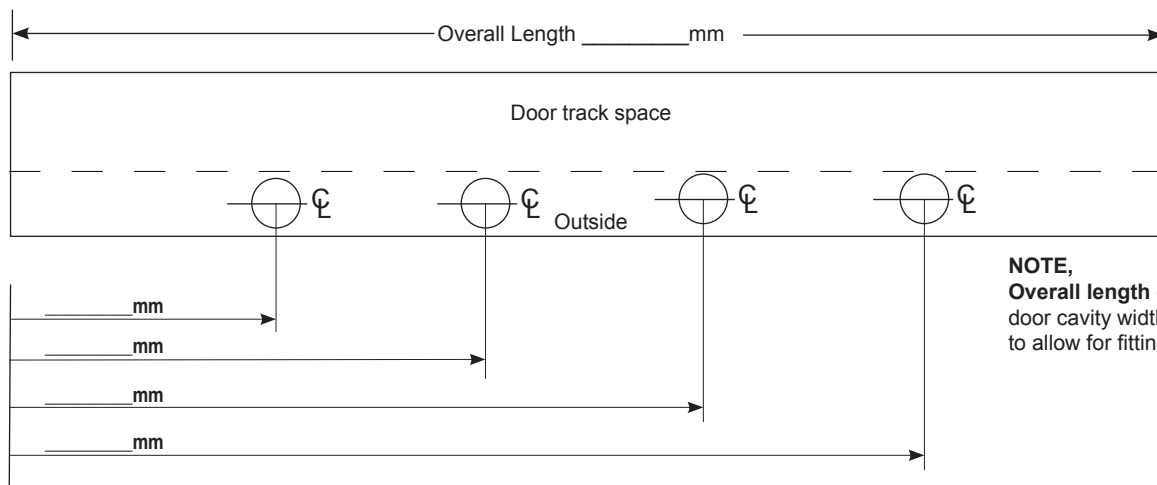
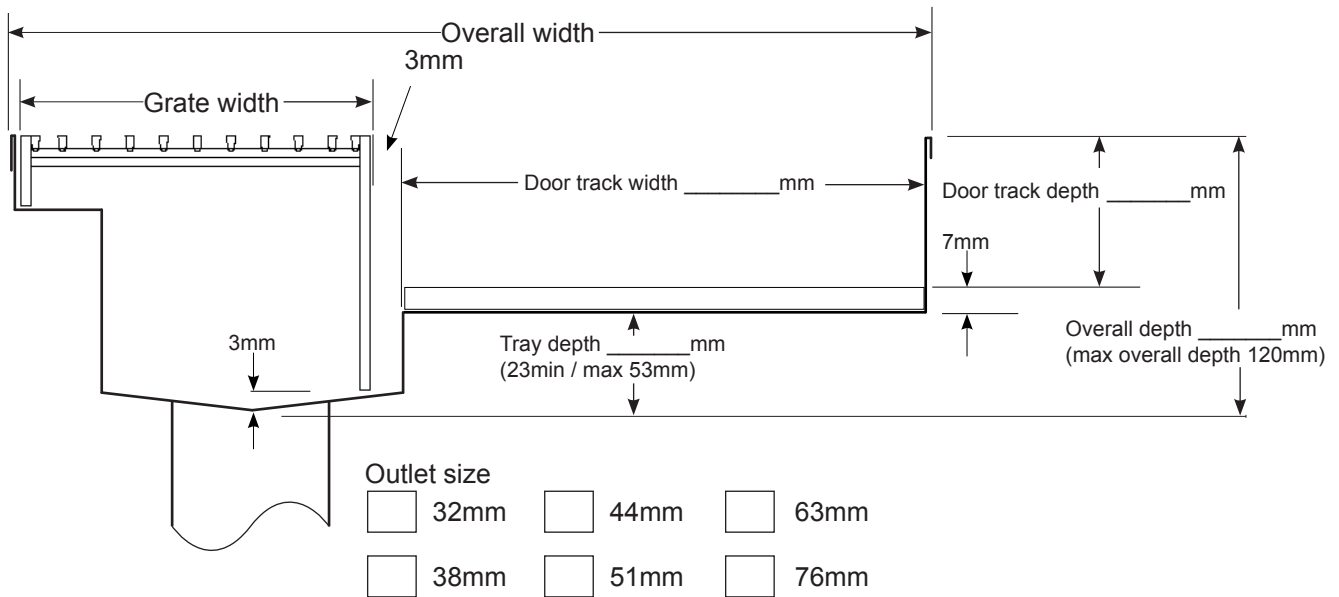
# Threshold drain - Standard for sil only

## Order Form



Standard grate (TR)

- 65mm Grate      Overall width = 76mm + track width
- 100mm Grate    Overall width = 111mm + track width



**NOTE,**  
Overall length equals door cavity width minus 4mm to allow for fitting.

Name	Email	
<input type="text"/>	<input type="text"/>	
Customer name/job	Branch	S/tech quote #
<input type="text"/>	<input type="text"/>	<input type="text"/>
Order number	Signature & date	
<input type="text"/>	<input type="text"/>	

Fax to 02 44235552 or email to [info@stormtech.com.au](mailto:info@stormtech.com.au)

