

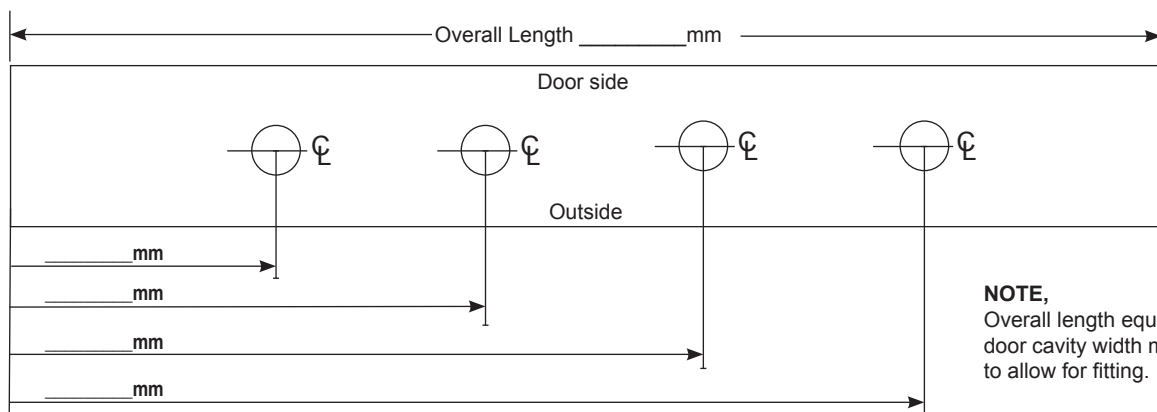
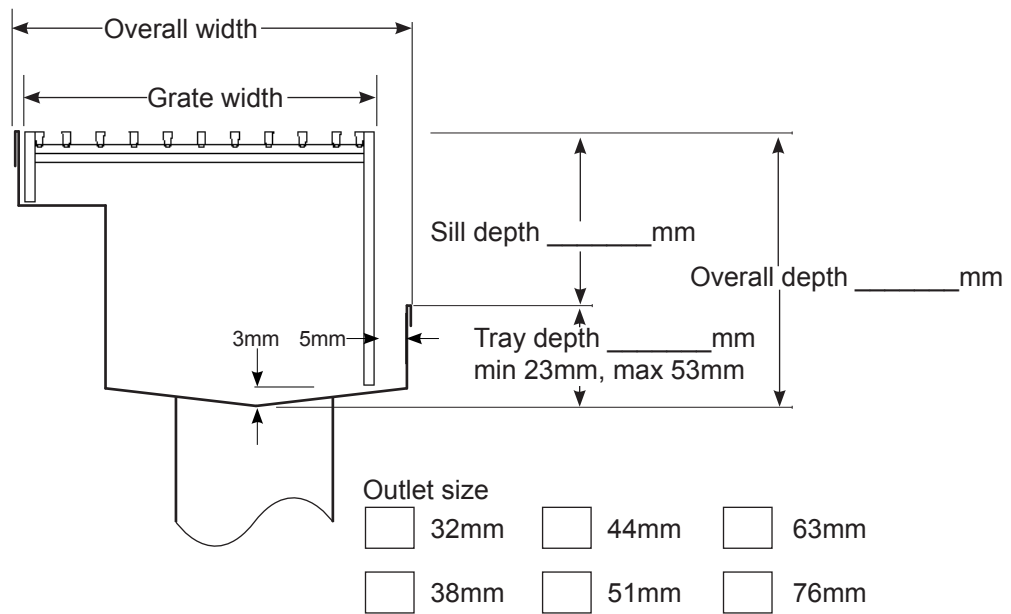


Threshold drain - Standard for Sill + Sub sill Order Form

Standard grate (TR)



- 65mm Grate Overall width = 75mm
- 100mm Grate Overall width = 110mm



NOTE,
Overall length equals door cavity width minus 4mm to allow for fitting.

Name	Email	
<input type="text"/>	<input type="text"/>	
Customer name/job	Branch	S/tech quote #
<input type="text"/>	<input type="text"/>	<input type="text"/>
Order number	Signature & date	
<input type="text"/>	<input type="text"/>	

Fax to 02 44235552 or email to info@stormtech.com.au

