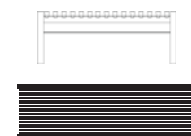


Threshold drain - Premium for Sub Sil and Sil

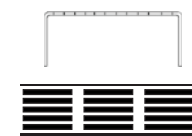
Order Form



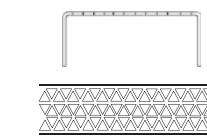
Grates



Architectural (AR)

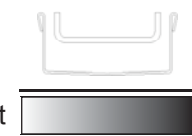


Punched Slot (PS)



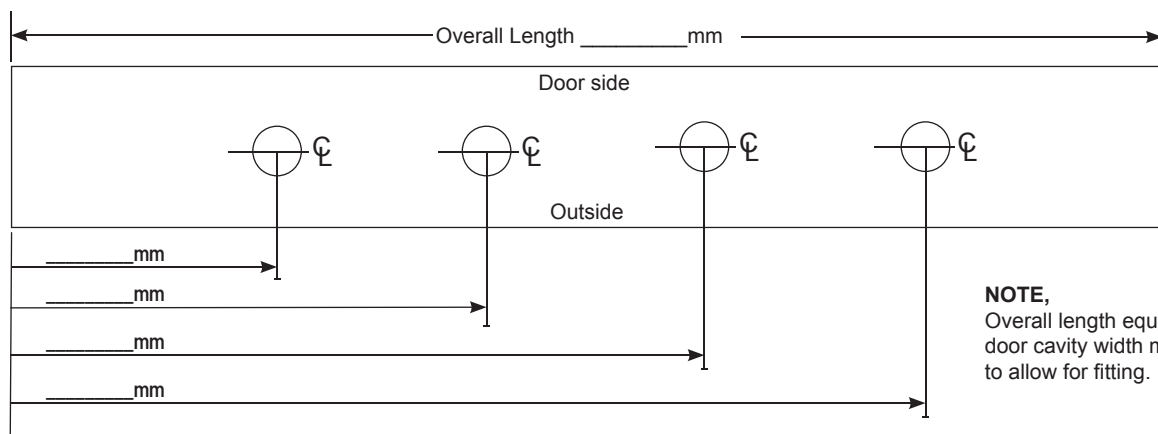
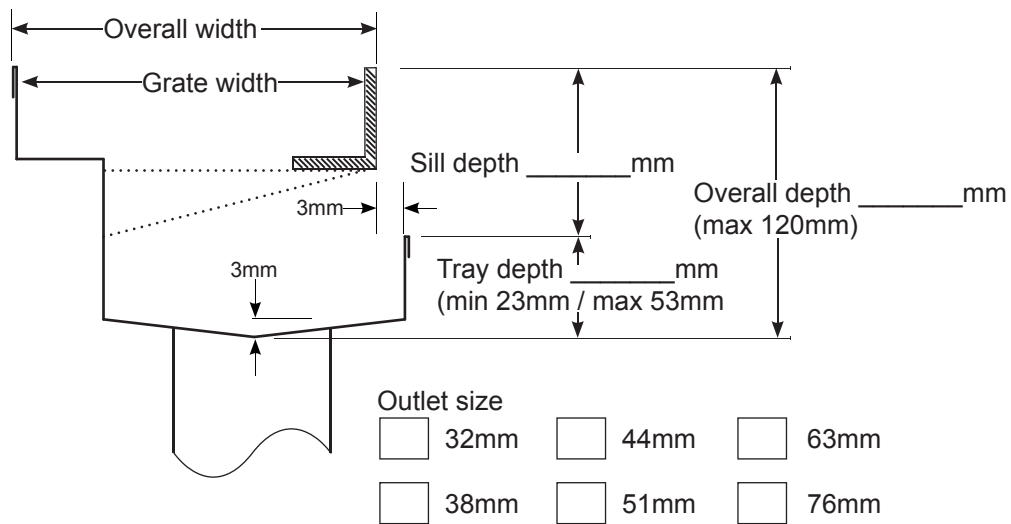
Marc Newson (MND)

Tile Insert



Ti

- | | | |
|--|--------------------------------------|-----------------------|
| <input type="checkbox"/> 65mm Tile Insert | <input type="checkbox"/> 65mm Grate | Overall width = 74mm |
| <input type="checkbox"/> 100mm Tile Insert | <input type="checkbox"/> 100mm Grate | Overall width = 109mm |



NOTE,
Overall length equals door cavity width minus 4mm to allow for fitting.

Name	Email	
<input type="text"/>	<input type="text"/>	
Customer name/job	Branch	S/tech quote #
<input type="text"/>	<input type="text"/>	<input type="text"/>
Order number	Signature & date	
<input type="text"/>	<input type="text"/>	

Fax to 02 44235552 or email to info@stormtech.com.au

