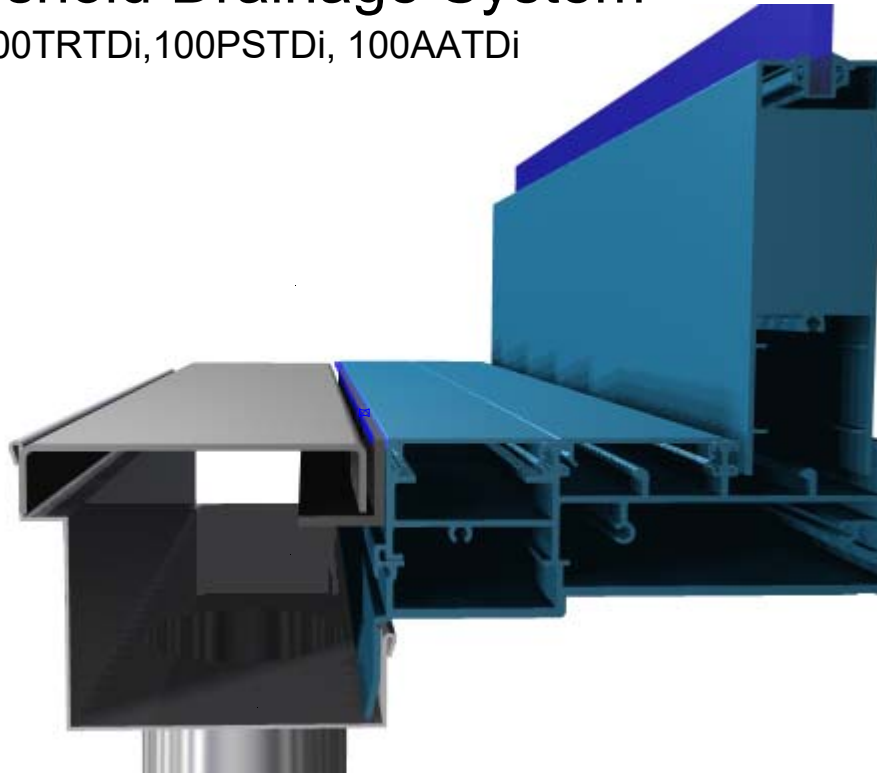


100TDi Linear threshold Drainage System

For 100ARTDi, 100TRTDi, 100PSTDi, 100AATDi



- * The entire door track and 100TDi are set in above and separate to waterproofing. Therefore waterproofing must be completed first.
- * Install the door track sub-sil.
- * When installing the 100TDi the tray needs to be slightly deeper than the lowest part of the Sib-sil.
- * Standard installation sequence generally has the door track sub-sil in place before the drain. Therefore the tray may need to be slightly deeper than lowest part of the subsil to allow the drain channel to slide underneath the subsil.

