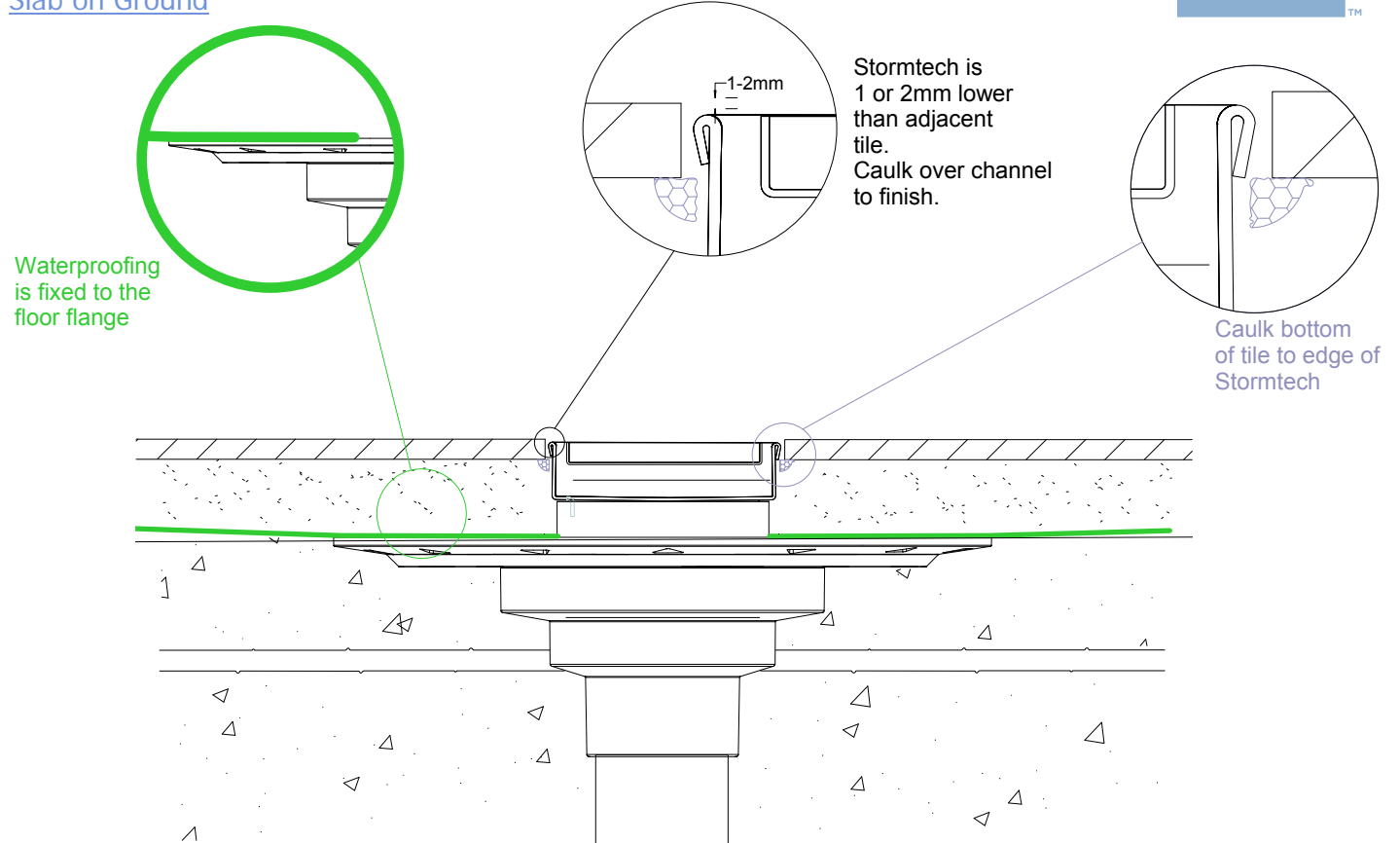


100Tii Concrete Floor or Deck

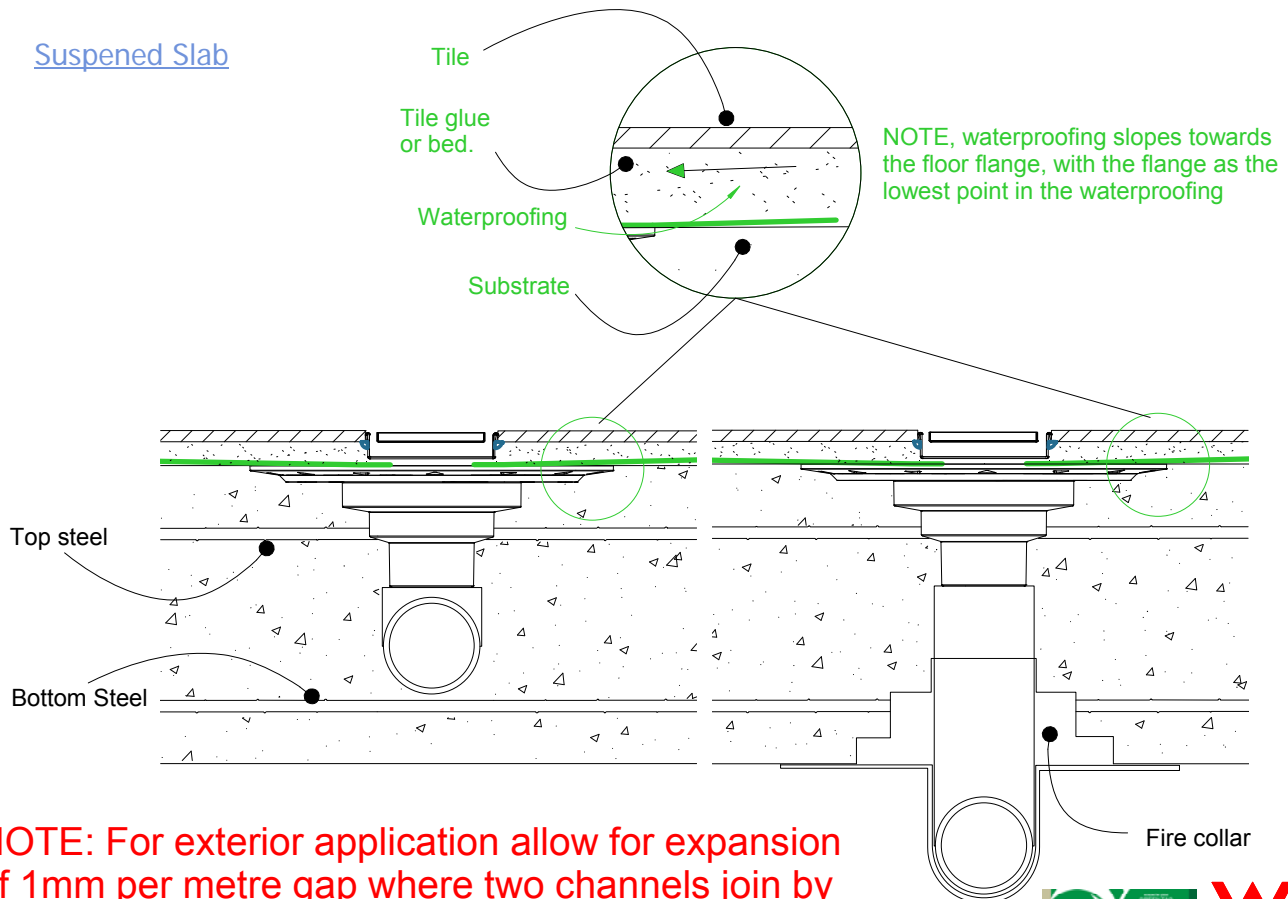
For 100Tii20CO, 100Tii20MTL, 100Tii30MTL, 100TiiCo30, 100TRTii25MTL, 100TRTiiCO25, 100Tii40MTL.



Slab on Ground



Suspended Slab



NOTE: For exterior application allow for expansion of 1mm per metre gap where two channels join by using quality suitable flexible sealant on channel joiners.

