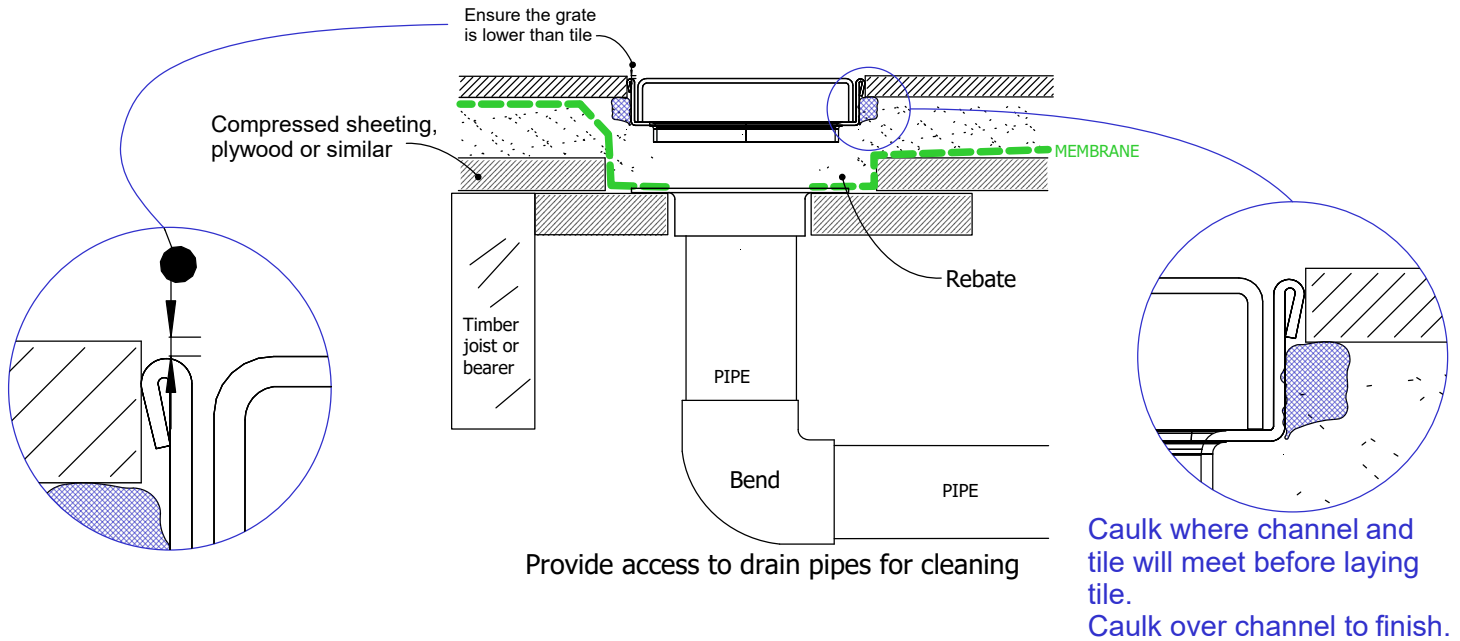


# 100i12MTL (Timber)

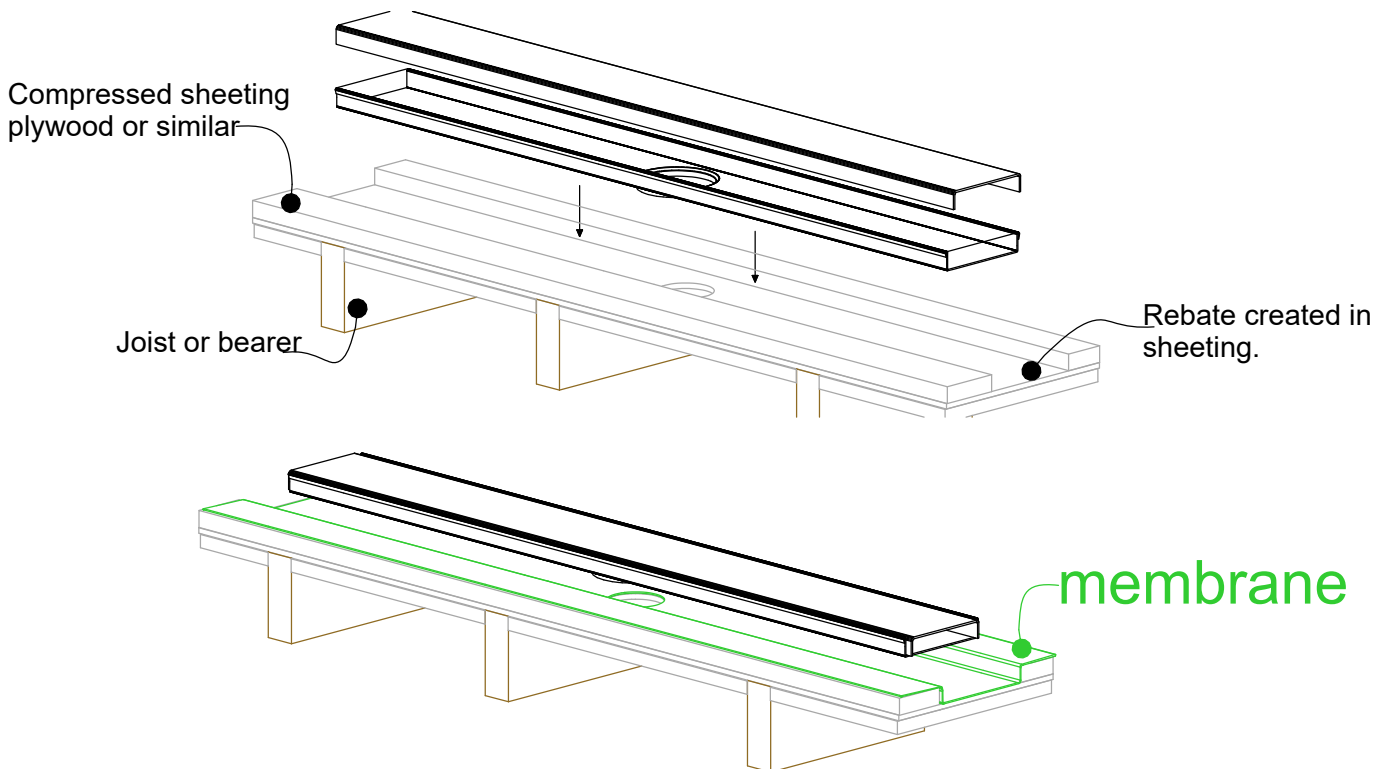
For 100PSi12MTL, 100PPSi12MTL, 100PASi12MTL, 100MNDi12MTL



When 100i12 MTL is running parallel to joist/bearer



When 100i12 MTL is running perpendicular to joist/bearer



**NOTE: For exterior application allow for expansion of 1mm per metre by using quality suitable flexible sealant on channel joins.**

