

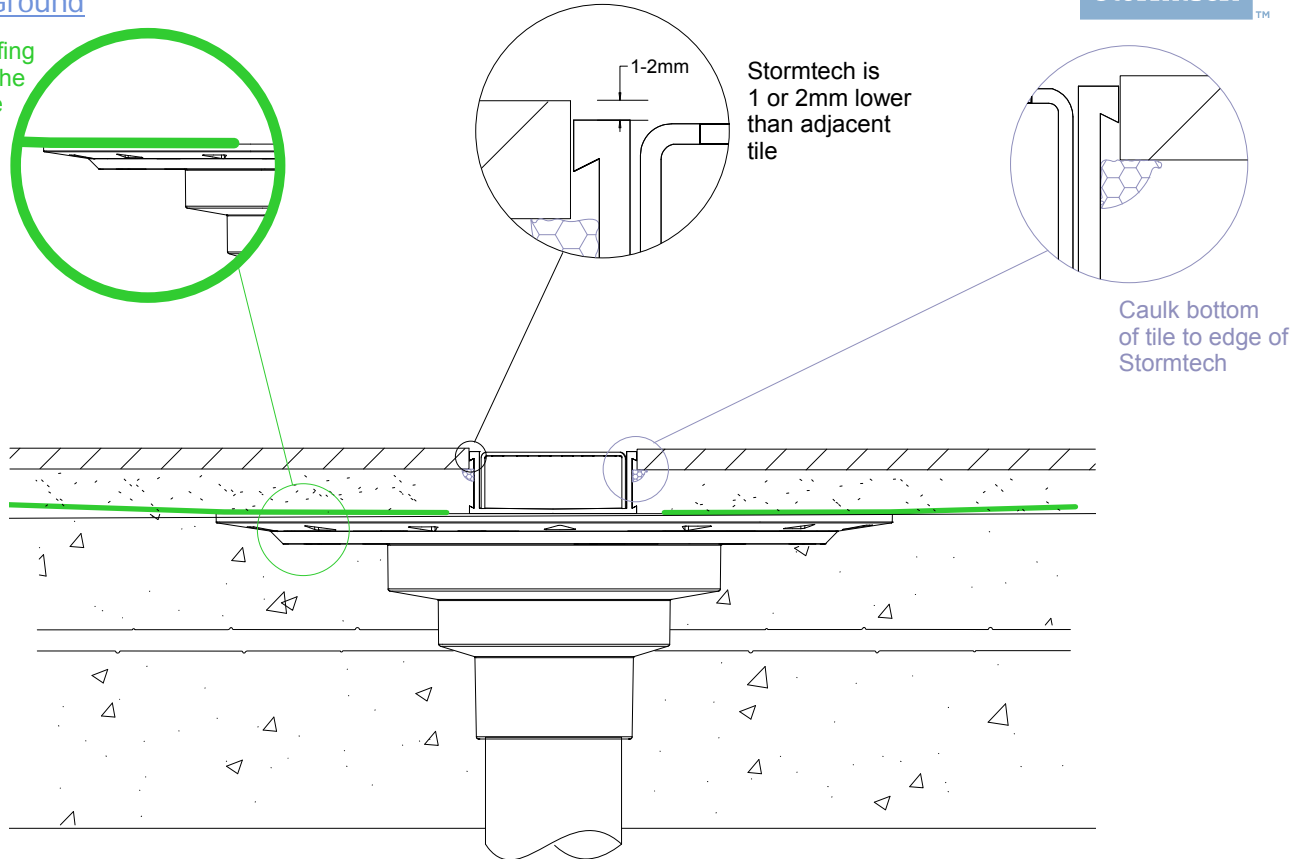
65G25 Concrete Floor or Deck

For 65ARG25, 65MNDG25, 65PHG25, 65PSG25, 65TRG25, and 65TRTiG25.

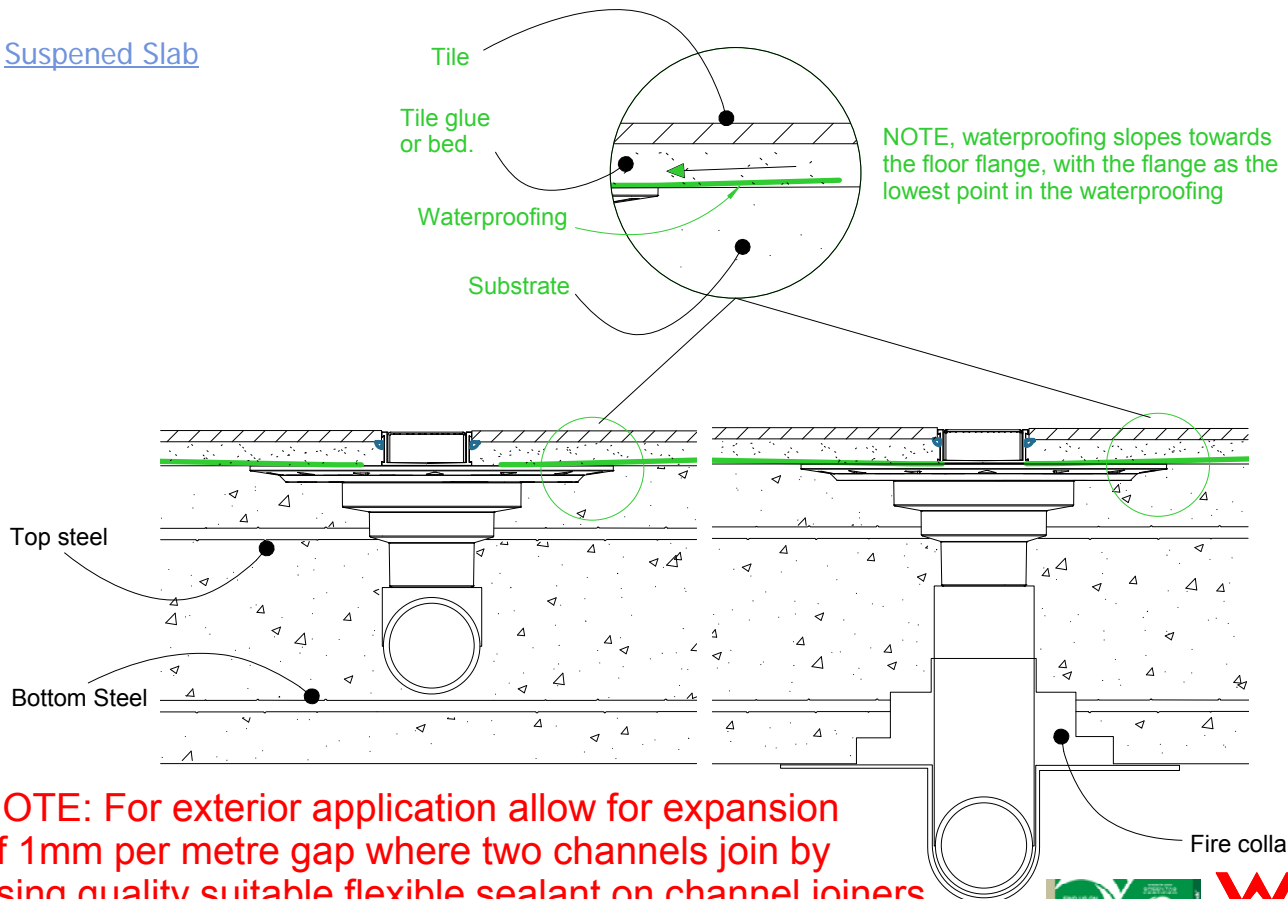


Slab on Ground

Waterproofing is fixed to the floor flange



Suspended Slab



NOTE: For exterior application allow for expansion of 1mm per metre gap where two channels join by using quality suitable flexible sealant on channel joiners. Use PVC solvent cement for ends and outlets.

